

AD01256

Prime Application

XMC adapter for PCI-Express workstations

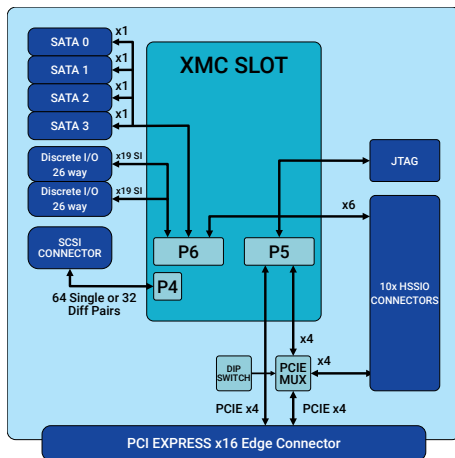
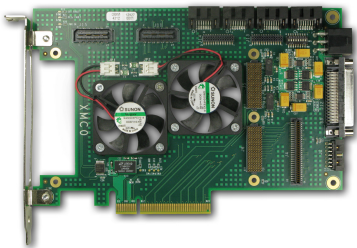
Board Features

- XMC Carrier card for PCI Express based systems
- Breakout of mezzanine board I/O
- Separate PCIe Power connector

Summary

PC plug-in (half length) card to allow one XMC boards to be used in the PC.

The ADC-PCIE-XMC is a half length PCI Express card designed to carry a single XMC. It can support the use of x1, x2,x4 and x8 PCIe Gen2 signalling environments in x8 or x16 PCIe slots. The XMC site on the card supports up to on x8 PCIe or two x4 PCIe links. VPWR provided to the XMC site is set to 12V.



Deliverables

ADC-PCIE-XMC Board
One Year Warranty
One Year Technical Support

Host Interface

The host interface supports PCIe Gen 1, 2. Please contact Alpha Data for further details.

Board Format

Half length PCI Express Card

Input/Output Interfaces

High-speed serial I/O

High-speed serial communications from P6 SATA interfaces from P6

Discrete I/O

GPIO from P6
64 Single ended or 32 differential pair GPIO from P4

Environmental Specification

Cooling Option	Operating Temperatures		Storage Temperatures	
	Min	Max	Min	Max
AC0	0°C	+55°C	-40°C	+85°C

Operating Humidity

Up to 95% (non-condensing)

EMC Standards

FCC 47CFR Part 2
EN55022:2010 Equipment ClassB

Ordering Information

Order Code: ADC-PCIE-XMC(t)

Option	Code	Description of Options
XMC Connector Type	t	blank = XMC (VITA 42) Connectors , /X2 = XMC2 (VITA 61) Connectors