

ADM-AMC-5A2

Advanced Mezzanine Card

User Guide

Version 1.0



Copyright © 2007, 2008 Alpha Data Parallel Systems Ltd. All rights reserved.

This publication is protected by Copyright Law, with all rights reserved. No part of this publication may be reproduced, in any shape or form, without prior written consent from Alpha Data Parallel Systems Limited

Alpha Data
4 West Silvermills Lane
Edinburgh EH3 5BD
UK

Phone: +44 (0) 131 558 2600

Fax: +44 (0) 131 558 2700

Email: support@alphadata.co.uk

Alpha Data
2570 North First Street, Suite 440
San Jose, CA 95131
USA

Phone: (408) 467 5076

Fax: (866) 820 9956

Email: support@alpha-data.com

Table of Contents

1.	Introduction	1
1.1.	Specifications	1
2.	Hardware Installation	2
2.1.	Carrier / Backplane requirements	2
2.2.	Handling instructions	2
3.	Software Installation	2
4.	Board Description	3
4.1.	Local Bus	4
4.2.	Flash Memory	5
4.2.1.	Board Control Flash	5
4.2.2.	User FPGA Flash	5
4.3.	Health Monitoring	5
4.4.	JTAG & Processor Debug	6
4.4.1.	FBS	6
4.5.	Clocks	7
4.5.1.	LCLK	7
4.5.2.	REFCLK 200	7
4.5.3.	REFCLK 125	7
4.5.4.	VIDEOCLK 1485	7
4.5.5.	VIDEOCLK 1483	7
4.6.	User FPGA	8
4.6.1.	Configuration	8
4.6.2.	Memory Interfaces	8
4.6.3.	Video Interfaces	9
4.6.4.	Ethernet	10
4.7.	DSP	10
4.7.1.	Host Port Interface	10
4.7.2.	ZBT Memory (EMIF A)	10
4.7.3.	Flash Memory & User FPGA Interface (EMIF B)	11
4.7.4.	Multi-Channel Buffered Serial Port (McBSP)	11
4.8.	Debug Daughterboard	11
4.8.1.	Xilinx JTAG	11
4.8.2.	MMC Microcontroller ICE	11
4.8.3.	DSP XDS Emulator	11
4.8.4.	MMC Serial Port	12
5.	Revision History	13

Table of Tables

Table 1	Local Bus Interface Signal List	4
Table 2	Voltage and Temperature Monitors	5
Table 3	DDR Memory Bank Configuration	8
Table 4	Video Tx Channel connections	10
Table 5	Video Rx Channel connections	10
Table 6	Debug Daughtercard J1, Xilinx JTAG	11
Table 7	Debug Daughtercard J5, MMC AVR ICE	11
Table 8	Debug Daughtercard J7, XDS Emulator	11
Table 9	Debug Daughtercard J2, MMC Serial Port	12

Table of Figures

Figure 1	ADM-AMC-5A2 Block Diagram	3
Figure 2	Local Bus Interface	4
Figure 3	Flash Memory and EMIF-B	9

1. Introduction

The ADM-AMC-5A2 is a Single-width, full-size Advanced Mezzanine Card (AMC). It is designed for Audio Visual Broadcast (AVB) applications using a Xilinx Virtex-5 FPGA and TI Digital Signal Processor.

The card uses an FPGA PCI Express bridge developed by Alpha-Data. A high-speed multiplexed address/data bus connects the bridge to the target (user) FPGA.

On the front panel, the card provides two Gigabit Ethernet ports, six 3G-SDI ports (four Tx, two Rx) and an RS-232 debug port.

1.1. Specifications

The ADM-AMC-5A2 supports high performance PCIe operation without the need to integrate proprietary cores into the FPGA.

- AMC.1 Type 4 card, conformant to AMC Base (R2.0) and PCIe Specifications
- 4-lane PCIe connections to bridge/ control FPGA
- 8 additional AMC Lanes (MGT links) to User FPGA for SRIO etc.
- High performance PCIe and DMA controllers
- 64-bit Local bus with speeds of up to 80 MHz
- Virtex-5 FPGA in FFG1738 package (supports LXT/SXT/FXT)
- Texas Instruments TMS320C6415 DSP
- Four independent banks of 64Mx32 DDRII SDRAM (1GB total)
- ZBT SRAM (8MB)
- Multiple low-jitter clocks for GTPs and Video applications
- 2 Gigabit Ethernet ports
- 6 3G-SDI ports (4 Transmit, 2 Receive)
- PigeonPoint Module Management Controller (MMC)

2. Hardware Installation

This chapter explains how to install the ADM-AMC-5A2.

2.1. Carrier / Backplane requirements

The AMC is a full-height module and requires a carrier (or backplane) with a “Type B+” connector to access the four ports in the Extended Options Region. A “Type B” connector is sufficient for all other card features.

2.2. Handling instructions

Observe SSD precautions when handling the cards to prevent damage to components by electrostatic discharge.

Avoid flexing the board.

3. Software Installation

Please refer to the SDK installation CD. The SDK contains drivers, examples for host control and FPGA design and comprehensive help on application interfacing.

4. Board Description

The ADM-AMC-5A2 follows the architecture of the ADM-XRC series and decouples the “target” FPGA from the PCIe interface, allowing user applications to be designed with minimum effort and without the complexity of PCI design.

A separate Bridge / Control FPGA interfaces to the PCIe bus and provides a simpler Local Bus interface to the target FPGA. It also performs all of the board control functions including the configuration of the target FPGA, loading of DSP boot code, programmable clock setup and the monitoring of on-board voltage and temperature.

DDR2 SDRAM, SSRAM and serial flash memory connect to the target FPGA and are supported by Xilinx or third party IP.

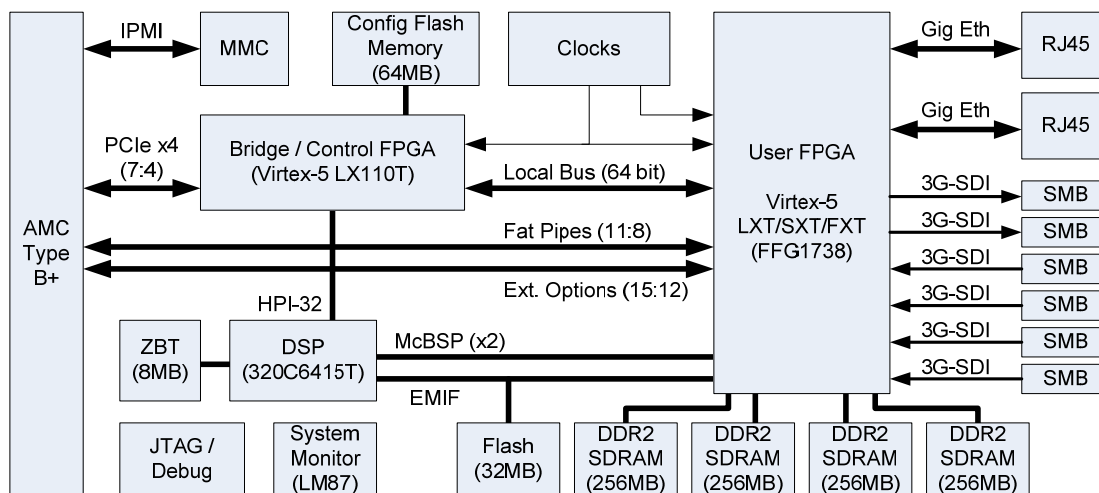


Figure 1 ADM-AMC-5A2 Block Diagram

4.1. Local Bus

The ADM-AMC-5A2 implements a multi-master local bus between the bridge and the target FPGA using a 32- or 64-bit multiplexed address and data path. The bridge design is asynchronous and allows the local bus to be run faster or slower than the PCI bus clock to suit the requirements of the user design.

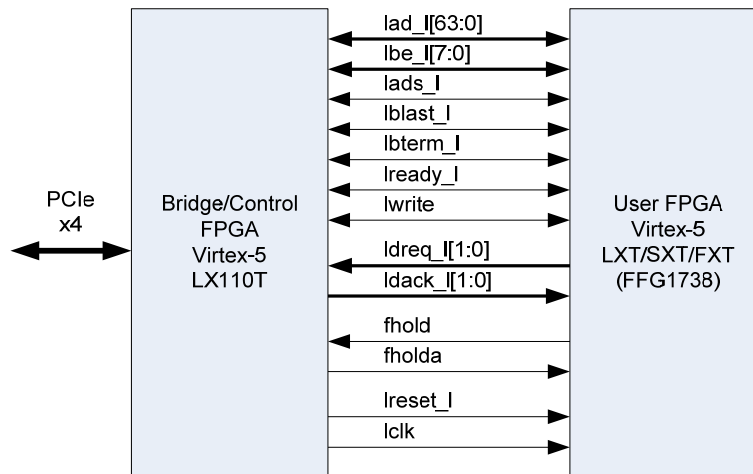


Figure 2 Local Bus Interface

Signal	Type	Purpose
lad[63:0]	bidir	Address and data bus.
lbe_[7:0]	bidir	Byte qualifiers
lads_1	bidir	Indicates address phase
lblast_1	bidir	Indicates last word
lbterm_1	bidir	Indicates ready and requests new address phase
lready_1	bidir	Indicates that target accepts or presents new data
lwrite	bidir	Indicates a write transfer from master
ldreq_[1:0]	unidir	DMA request from target to bridge
ldack_[1:0]	unidir	DMA acknowledge from bridge to target
fhold	unidir	Target bus request
fholda	unidir	Bridge bus acknowledge
lreset_1	unidir	Reset to target
lclk	unidir	Clock to synchronise bridge and target

Table 1 Local Bus Interface Signal List

4.2. Flash Memory

The ADM-AMC-5A2 is fitted with two separate Flash memories: one connected to the Bridge / Control FPGA and the other to the User FPGA.

4.2.1. Board Control Flash

A 64MB Intel P30 flash memory stores configuration bitstreams for both Bridge and User FPGAs. Once the Bridge FPGA is configured, it checks for a valid user FPGA bitstream and, if present, automatically loads it into the User FPGA. This process can be inhibited by closing switch SW1-A. See the description of the “FBS” signal in Section 4.4 for further information.

Access to this flash device is only possible through control logic registers. The flash is not directly mapped onto the local bus.

Programming, erasing and verification of the flash are supported by the ADM-XRC SDK and driver. Utilities are provided to load bitstreams into the flash. These also verify the bitstream is compatible with the target FPGA.

4.2.2. User FPGA Flash

A 32MB Intel P30 flash memory is connected to the User FPGA and the DSP for the storage of application-specific information.

Further details of the connections to this memory are given in Section 4.6.2.2.

4.3. Health Monitoring

The ADM-AMC-5A2 has the ability to monitor temperature and voltage of key parts of the board to maintain a check on the operation of the board. The monitoring is implemented by a National Semiconductor LM87 and is supported by the board control logic connected using I²C.

The Control Logic scans the LM87 when instructed by host software and stores the current voltage and temperature measurements in a blockram. This allows the values to be read without the need to communicate directly with the monitor.

The following supplies and temperatures, as shown in Table 2, are monitored.

Monitor	Purpose
1.0V	User FPGA Core Supply
1.2V	Ethernet PHY Core Supply
1.8V	Memories
2.5V	Local Bus, PHY I/O
MP3.3V	Management Power Supply
DSP_CVDD	DSP Core Supply (1.1V for -600, 1.2V for all others)
12V	12V Input “Payload” Supply
3.3V	Internal 3.3V Supply
Temp1	User FPGA die temperature
Temp2	LM87 on die temperature for board/ambient

Table 2 Voltage and Temperature Monitors

An application is provided in the SDK that permits the reading of the health monitor. The typical output of the monitor is shown below, provided by the SYSMON program.

```
*** SysMon ***

+1V0      Reading = 1.01 V
+1V2      Reading = 1.21 V
+1V8      Reading = 1.81 V
+2V5      Reading = 2.51 V
MP3V3     Reading = 3.32 V
DSP_CVDD  Reading = 1.09 V
+12V      Reading = 12.2 V
+3V3      Reading = 3.34 V

SysMon Int Temp = 33 deg. C
User FPGA Temp  = 26 deg. C
```

4.4. JTAG & Processor Debug

Connector U12 provides access to a debug daughterboard. This provides JTAG access to allow download of the FPGA using the Xilinx tools and serial download cables. It also provides access for ICE of the MMC microcontroller and the DSP. Connections for the debug daughterboard are detailed in Section 4.8.

4.4.1. FBS

The FBS signal is an input to the control logic and provides control of the cold boot process. By default with no link fitted, the control logic will load a bitstream from flash into the FPGA if one is present. Shorting FBS to the adjacent GND pin will disable this process and can be used to recover situations where rogue bitstreams have been stored in flash.

4.5. Clocks

The ADM-AMC-5A2 is provided with numerous clock sources, as detailed below:

4.5.1. LCLK

The Local Bus can be used at up to 80 MHz and all timing is synchronised to LCLK between the Bridge and User FPGAs. LCLK is generated from a 200MHz reference by a DCM within the bridge FPGA. The minimum LCLK frequency (determined by the DCM specification) is 32MHz.

The LCLK frequency is set by writing to the board control logic. (See SDK for details and example application).

Note: If the user FPGA application includes a DCM driven by LCLK (or one of the other programmable clocks), the clock frequency should be set prior to FPGA configuration.

4.5.2. REFCLK 200

In order to make use of the IODELAY features of Virtex™-5, a stable low-jitter clock source is required to provide the base timing for tap delay lines in each IOB in the User FPGA. The ADM-AMC-5A2 is fitted with a 200MHz LVPECL (LVDS optional) oscillator connected to global clock resource pins. This reference clock can also be used for application logic if required.

4.5.3. REFCLK 125

This clock is a 125 MHz reference for the GTPs. On the User FPGA, it is connected to GTPREFCLK_114 (for AMC lanes 11:8), GTPREFCLK_126 (for AMC lanes 15:12) and GTPREFCLK_112 (for front-panel Ethernet).

4.5.4. VIDEOCLK 1485

This clock is a 148.5 MHz reference for video applications. It is connected to the GTPREFCLK_124 input of the User FPGA.

4.5.5. VIDEOCLK 1483

This clock is a 148.3516484 MHz reference for video applications. It is connected to the GTPREFCLK_120 input of the User FPGA.

Note: Any of the clocks connected to GTPREFCLK inputs can provide a source for applications that do not use MGTs.

4.6. User FPGA

4.6.1. Configuration

The ADM-AMC-5A2 performs configuration from the host at high speed using SelectMAP. The FPGA may also be configured from flash or by JTAG via the debug daughterboard.

Download from the host is the fastest way to configure the User FPGA with 8 bit SelectMAP mode enabled.

The ADM-AMC-5A2 can be configured to boot the User FPGA from flash on power-up if a valid bit-stream is detected in the flash. Booting from flash will also configure the programmable clocks.

4.6.2. Memory Interfaces

4.6.2.1. DDR-II SDRAM

The ADM-AMC-5A2 has four independent banks of DDRII SDRAM. Each bank consists of two memory devices in parallel to provide a 32 bit datapath. 1Gb Micron MT47H64M16 devices are fitted as standard to provide 256MB per bank. The board supports the option of 2Gb devices to provide 512MB per bank.

The ADM-AMC-5A2 has been designed for compatibility with Xilinx memory interface cores.

Details of the signalling standards are given in the table below:

Name	Direction	I/O Standard
DDR_ad[15:0], DDR_ba[2:0], DDR_rasn, DDR_casn, DDR_wen, DDR_csn, DDR_cke, DDR_odt	Output	SSTL18_I_DCI
DDR_ck0, DDR_ckn0	Output	DIFF_SSTL18_II
DDR_dq[15:0]	BiDir	SSTL18_II
DDR_dm[1:0]	Output	SSTL18_II_DCI
DDR_dqs[1:0], DDR_dqsn[1:0]	BiDir	DIFF_SSTL18_II
DDR_ck1, DDR_ckn1	Output	DIFF_SSTL18_II
DDR_dq[31:16]	BiDir	SSTL18_II
DDR_dm[3:2]	Output	SSTL18_II_DCI
DDR_dqs[3:2], DDR_dqsn[3:2]	BiDir	DIFF_SSTL18_II

Table 3 DDR Memory Bank Configuration

4.6.2.2. Flash Memory & DSP Memory interface

A 32MB Intel P30 flash memory is connected to the User FPGA and the DSP External Memory Interface B (EMIF-B). The flash is arranged as 16MB x 16bit.

The DSP has only 20 address lines for EMIF-B and is, therefore, only capable of addressing 2MB. However, since the User FPGA can address the whole device, it can set the 2MB address “window” for the DSP.

The upper address lines (25:21) are pulled-down by on-board resistors and will be ‘0’ when not driven by the user FPGA.

The Flash Memory and EMIF-B are shown in Figure 3.

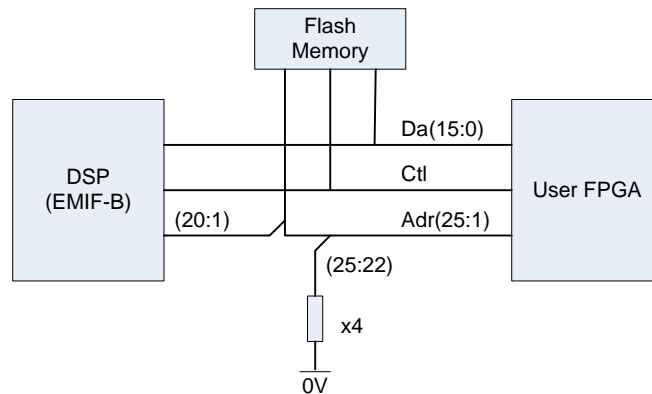


Figure 3 Flash Memory and EMIF-B

4.6.2.3. Serial Memory

A 1k-bit 1-wire EEPROM (type Dallas DS2432) is connected to the User FPGA. This device contains a write-only secret and 512-bit SHA engine. Please see the manufacturer's datasheet for more information on this device.

4.6.3. Video Interfaces

The card has six triple-rate SDI interfaces (four transmit and two receive). Each interface uses a MGT link on the FPGA running at 2.97Gb/s or 2.967 Gb/s.

Reference designs using the MGTs for SD-, HD-, 3G-SDI and DVB-ASI are available from Xilinx.

4.6.3.1. Reference Clocks

Two reference oscillators are connected to GTPREFCLK inputs on the user FPGA. These run at 148.5MHz and 148.3516484MHz.

4.6.3.2. Transmit

The transmit interfaces use MGT outputs connected to Gennum GS2978 line drivers and 75 Ohm SMB connectors on the front-panel. The connections are shown in Table 4.

Channel	MGT	Connector
0	124_0	J6
1	120_0	J2
2	124_1	J5
3	120_1	J3

Table 4 Video Tx Channel connections

4.6.3.3. Receive

The receive interfaces use 75 Ohm front-panel connectors and Gennum GS2974 Cable Equalisers. The equaliser outputs are connected to MGT inputs on the user FPGA. The connections are shown in Table 5.

Channel	MGT	Connector
0	124_0	J1
1	120_0	J4

Table 5 Video Rx Channel connections

4.6.4. Ethernet

The User FPGA has two Gigabit Ethernet ports. Both use MGT connections for an SGMII link to a Marvell 88E1112 PHY.

MGT 112_0 connects to RJ-45 connector U29 and MGT 112_1 connects to RJ-45 connector U30.

4.7. DSP

The TI DSP is connected both to the bridge FPGA for host access and to the User FPGA for application specific processing.

The DSP is clocked at 50MHz and, by default, the board is configured to run the DSP core at 600 MHz. (x12 clock mode).

The DSP is configured to boot from the Host Port Interface.

4.7.1. Host Port Interface

The 32-bit Host Port Interface (HPI) provides access to the DSP through the bridge FPGA. The HPI runs at a constant 50MHz and is asynchronous to the PCIe and Local Bus interfaces.

4.7.2. ZBT Memory (EMIF A)

External Memory Interface A (EMIF-A) is connected to an 8MB (1M x 64) ZBT memory component. The default frequency for the interface is 200MHz.

4.7.3. Flash Memory & User FPGA Interface (EMIF B)

The DSP has a connection to a 32MB Flash memory and the User FPGA on its EMIF-B interface. See Sections 4.2 and 4.6.2.2 for further details.

4.7.4. Multi-Channel Buffered Serial Port (McBSP)

McBSP 0 and 1 are directly connected between the DSP and the User FPGA.

4.8. Debug Daughterboard

4.8.1. Xilinx JTAG

	Pin	Pin	
Ground	1	2	+3V3
"	3	4	XIL_TMS
"	5	6	XIL_TCK
"	7	8	XIL_TDO
"	9	10	XIL_TDI
"	11	12	n/c
"	13	14	n/c

Table 6 Debug Daughtercard J1, Xilinx JTAG

4.8.2. MMC Microcontroller ICE

	Pin	Pin	
MMC_TCK	1	2	Ground
MMC_TDO	3	4	MP_3V3
MMC_TMS	5	6	MMC_ICE_nRST
MP_3V3	7	8	MMC_nRST
MMC_TDI	9	10	Ground

Table 7 Debug Daughtercard J5, MMC AVR ICE

4.8.3. DSP XDS Emulator

	Pin	Pin	
DSP_TMS	1	2	DSP_nTRST
DSP_TDI	3	4	Ground
DSP_PD	5	6	NO PIN
DSP_TDO	7	8	n/c
DSP_TCK_RET	9	10	Ground
DSP_TCK	11	12	"
DSP_EMU0	13	14	"

Table 8 Debug Daughtercard J7, XDS Emulator

4.8.4. MMC Serial Port

	Pin	Pin	
Tx	1	2	Ground
Rx	3	4	"
Ground	5	6	"
n/c	7	8	"
n/c	9	10	"

Table 9 Debug Daughtercard J2, MMC Serial Port

5. Revision History

Date	Revision	Nature of Change
23-04-2008	0.1	Draft for comments.
24-04-2008	1.0	Initial Release