

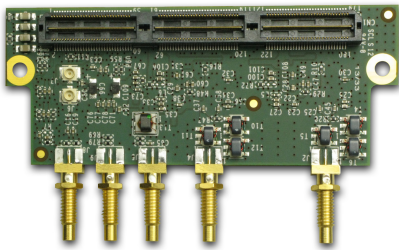
AD01252

Prime Application

IF/Baseband Signal Sampling

Board Features

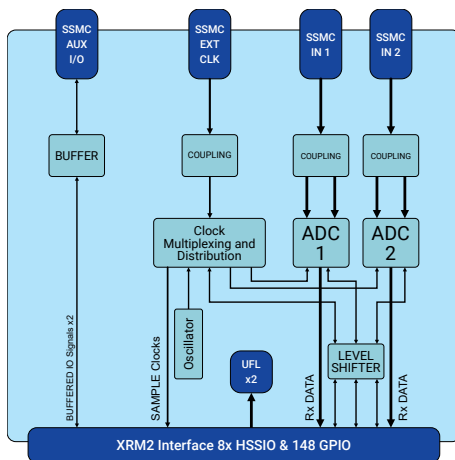
- Dual 16-bit 250MSPs ADCs
- External Clock Input



Summary

The **XRM2-ADC-D10/250** is an XRM2 I/O Module, providing two Analog to Digital converters with 16-bit resolution at sampling rates up to 250MSPs.

Aimed at IF/Baseband Signal Sampling, the sampling clock can be sourced from either an external clock source or from a clock generated within the attached FPGA board. An Auxiliary I/O port is provided for use as a trigger input and general purpose signaling. An additional two ports are available for use as high-speed interconnect between boards for synchronisation.



Deliverables

XRM2-ADC-D10/250 Board
One Year Warranty
One Year Technical Support

Board Format

Alpha Data XRM2 I/O Module

Input/Output Interfaces

ADC

Dual Analog to Digital Converters

Resolution: 16-bit

Max Sample Freq: 250MSPs

Bandwidth: 4.5MHz to 700MHz

Impedance: 50Ω

Connector: SSMC

External clock input

External clock input

Auxiliary I/O

Auxiliary I/O

Synchronisation I/O

Synchronisation I/O

Environmental Specification

Cooling Option	Operating Temperatures		Storage Temperatures	
	Min	Max	Min	Max
AC0	0°C	+55°C	-40°C	+85°C

Operating Humidity

Up to 95% (non-condensing)

EMC Standards

FCC 47CFR Part 2

EN55022:2010 Equipment ClassB

Ordering Information

Order Code: XRM2-ADC-D10/250